

Includes:

- MWC Wired Wall Damper Control.
- (1) Lithium CR2450 Coin Cell Battery.
- Hardware Kit.

Compatible Dampers (sold separately):

- R80DWL-XX (Unsealed)
- R80DWLS-XX (Sealed)



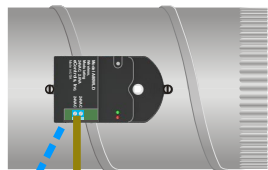
(Damper is sold separately)

⚠ CAUTIONS

- Not intended as a zoning system. See eControlsUSA.com for zoning solutions.
- Turn off power to HVAC equipment before installing or servicing airflow controls.
- Read and follow all instructions carefully before installing.
- Follow all local electrical codes during installation. All wiring must conform to local and national electrical codes.
- Installation should be performed by a qualified individual with sufficient experience and skill.
- Use cautions when mounting components to surfaces that may have concealed wiring beneath the surface.

Wiring Diagram

R80DWL or R80DWLS Damper
Installed in the duct
controlling airflow to the space.



Wireless
Communication

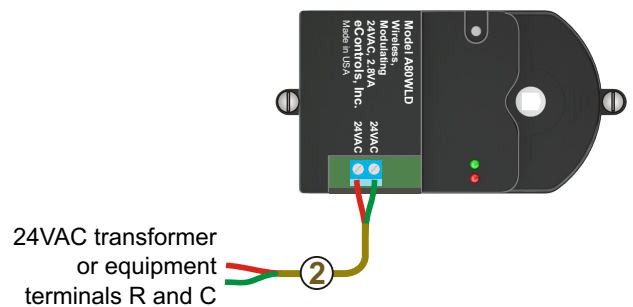
② To 24VAC, 40VA
transformer or
24VAC (R and C)
at the equipment.



WWDC Wireless Wall
Damper Control
Installed on any wall.

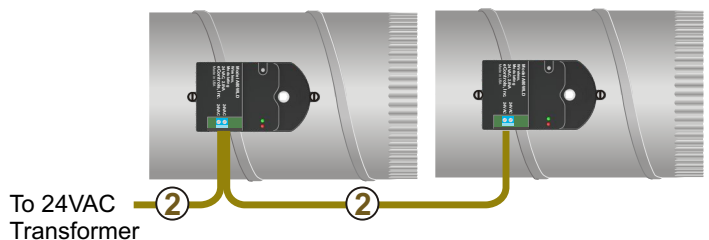
Step 1. Install and Wire Damper(s)

- 1) Install an R80DWL or R80DWLS damper in the trunk line supplying air to the space. Multiple dampers can be connected to define a space.
- 2) Use 18 or 20 ga., 2-conductor thermostat cable to connect the damper actuator to a 24VAC, 40VA transformer or to the R and C terminals at the equipment. A 40VA transformer can power up to 6 dampers.



Powering Multiple Dampers

Use 18 or 20 ga., 2 conductor thermostat cable to connect multiple dampers. A 40VA transformer can power up to 6 dampers.



Step 2. Apply Power

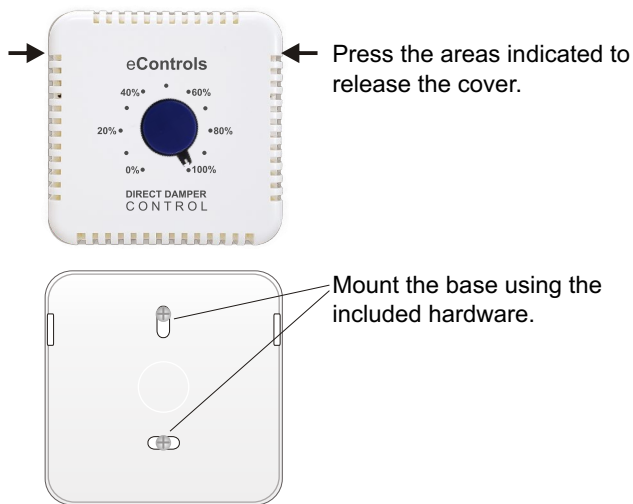
When the damper is powered, the damper goes to a fully open position and displays a green LED.

Damper LEDs and Position

| Airflow Setting | LED | Damper Position |
|---------------------|--------------------------|------------------|
| 100% | Green | Open |
| 0% | Red | Closed |
| Between 100% and 0% | Green and Red LED Blink. | Partially Closed |

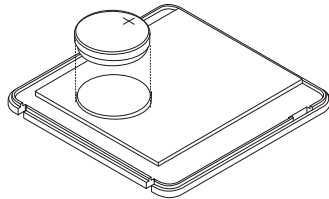
Step 3. Mount the WWDC Control

The WWDC is mounted on any wall about 5' off the ground (typical thermostat height).



Step 4. Install Batteries to Power WWDC

After mounting the base, insert the CR2450 Lithium Coin Cell battery. Make sure + side is facing up.



Replace cover by lining up the plastic tabs on the wall base to the grooves on the bottom of the cover then snap into place.

Testing Airflow

At the thermostat, activate a heating or cooling call. The WWDC Control should be set to 100%. Measure or feel the airflow going to the space as a reference.

- Rotate the knob counter clockwise to set the airflow to 0%. The damper should go to the closed position and display a red LED. You should measure or feel very little airflow to the space.
- Rotate the knob clockwise to set the airflow to 50%. The damper should go to a partially closed position and display a green and red blinking LED. You should measure or feel some airflow to the space but not as much as at 100%.
- Rotate the knob clockwise to set the airflow to 100%. The damper should completely open and display a green LED.

Limited 5-Year Warranty

The 5-year warranty is limited to the repair or replacement of defective product due to parts failure or defective workmanship.

eControls

26072 Merit Circle #110 / Laguna Hills, CA 92653
949-916-0945 Fax 949-458-8502 www.eControlsUSA.com