

The TS3J Outdoor Temperature Sensor is compatible with the WTT Wall Control and is used to delay whole house fan operation if the outdoor temperature is too warm to provide cooling.



### Step 1. Select a Location

The TS3J should be installed in a dry and shaded location outdoors such as under an overhang. Make sure the sensor is not placed in area where the temperature will be influenced, such as in direct sunlight, above a vent, at the top of the gable, etc.

### Step 2. Drill an Access Hole

Drill a 5/8-inch diameter hole for the plug&play cable. From the outside, pass the connector end of the cable through the hole. Secure the sensor with two #6 screws. See Illustration #1.

### Step 3. Install the Cover

Install the cover with tab up using the screw provided. See Illustration #1.

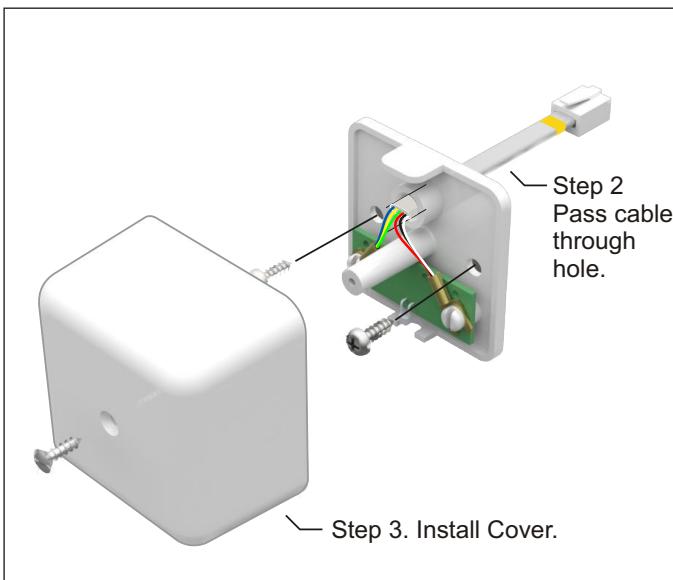


Illustration #1

### Step 4. Route the Cable to the WTT

Route the plug&play cable to the WTT and plug into the connector marked with the yellow dot. See Illustration #2.

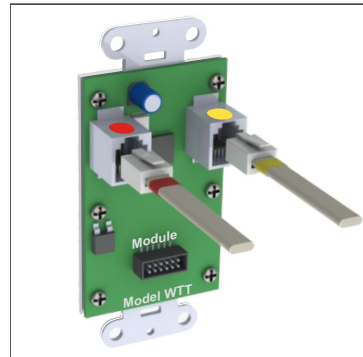


Illustration #2

The outdoor temperature is displayed on the WTT.

