

## Model ZCMWL

### 2-Zone Wireless Manual Comfort Control

eControls

For Residential New Construction and Aftermarket



The ZCMWL 2-Zone Wireless Comfort Control manually controls the distribution of heating and cooling to provide a uniformly comfortable home.

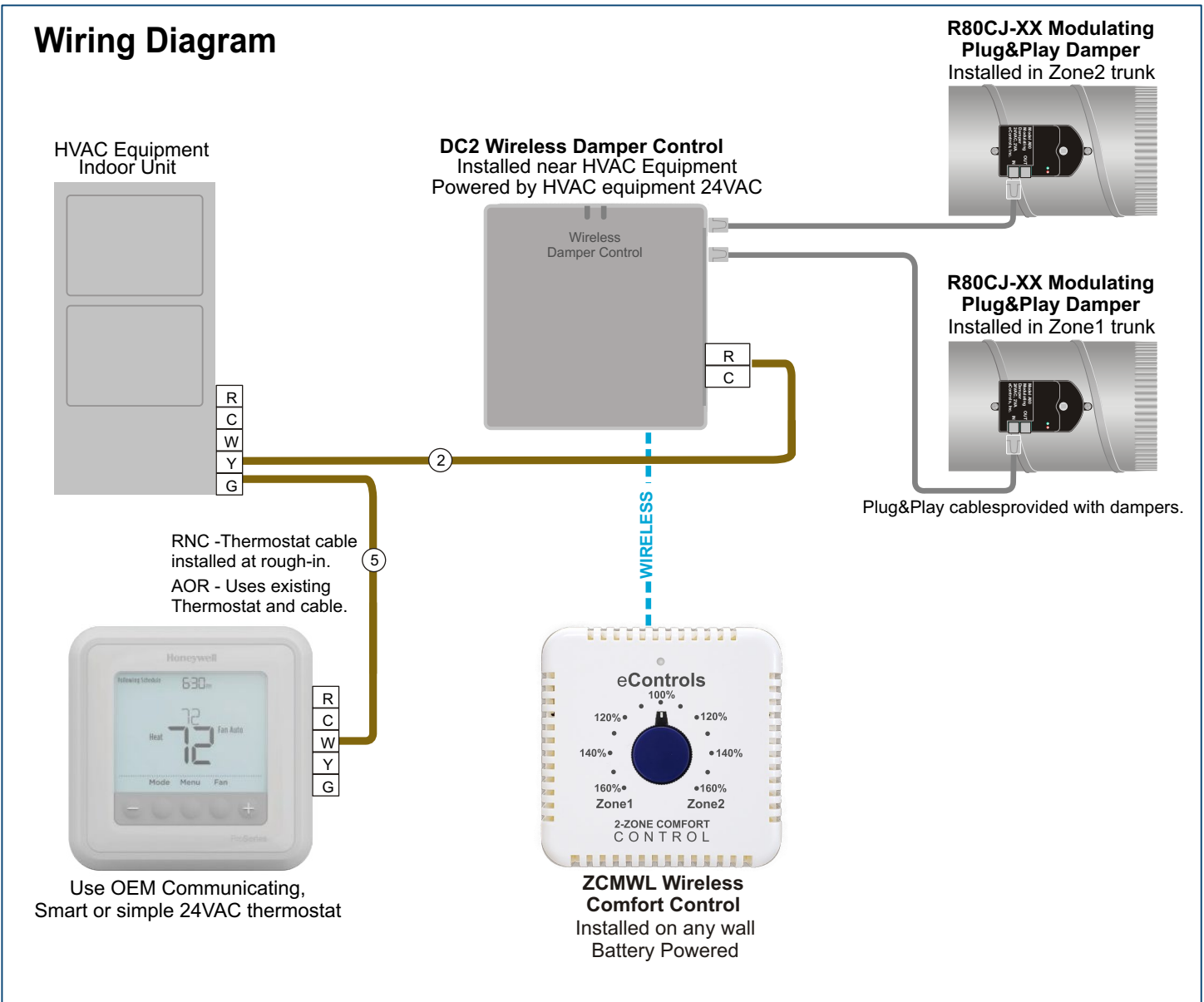
- ▶ Eliminates Bypass
- ▶ Eliminates DAT sensor and separate 24VAC transformer.
- ▶ About half the material cost of zoning
- ▶ About half the installation time of zoning.
- ▶ Works with OEM Communicating Thermostats, Smart Thermostats and simple 24VAC Thermostats.



Proudly designed, engineered  
and assembled in the USA



# Wiring Diagram



## Installation

Typical installation includes two round R80CJ or rectangular RT80CJ Modulating Plug&Play Dampers installed in the trunks feeding the upstairs and downstairs zones.

The DC2 Wireless Damper Control is installed near the equipment and wires to the equipment terminals R and C for 24VAC power. The dampers connect to the DC2 using the included plug&play cables.

The ZCMWL Wireless 2-Zone Control is installed on any wall in the downstairs or upstairs zone, is battery powered and requires no wiring. The ZCMWL is compatible with simple, Smart and OEM thermostats.

## How It Works

Operation is simple. Turn the knob on the ZCMWL clockwise to direct more heating or cooling to the upstairs zone and less downstairs or counter-clockwise to direct more heating or cooling to the downstairs zone and less upstairs.

To distribute more heating or cooling upstairs, the upstairs damper fully opens and the downstairs damper partially closes, forcing more heating or cooling to the upstairs zone. To distribute more heating or cooling downstairs, the downstairs damper fully opens and the upstairs damper partially closes, forcing more heating or cooling to the downstairs zone.

The ZCMWL system enables the homeowner to dynamically adjust the dampers to find the right distribution of heating and cooling to provide a balanced, comfortable home and save energy in every season.

# Comparison to Zoning

	ZCMWL Control	Traditional Zoning
Install Bypass Duct and Damper	Not Required. Modulating dampers never close.	May be required or in-zone bypass damper may be used.
Bypass Calibration and Test	Not Required.	Requires testing and setting of bypass.
Install Damper Control or Zoning Panel	Install Damper Control. Connect 2 wires and 2 plug&play cables.	Install Zoning Panel. Connect 23-25 wires.
Line Voltage Wiring	Not Required. Uses equipment 24VAC.	Required for 24VAC transformer.
Install 24VAC Transformer and Box	Not Required. Uses equipment 24VAC.	Required.
Install and wire DAT sensor in plenum	Not Required. Discharge air temperature is not affected by modulating zoning.	Required.
Wire Dampers	Not Required. Plug&Play	Required.
Compatible with Existing Thermostat	Yes.	Yes. If Simple or Smart Thermostat. No, if Smart OEM Communicating Thermostat.
Install 2-Zone Wall Control	Required. Battery Powered - No wiring.	Not Required.
Install Thermostat Upstairs	Not Required.	Required.
Install New Wiring in the Living Space	Not Required. ZCMWL is battery powered.	Required for upstairs thermostat. Or use expensive wireless hub and wireless thermostat.



## Easiest to Install 2-Zone System Available

- ▶ No Bypass to Install
- ▶ No Bypass to Calibrate and Test
- ▶ Only 2 Wires to Connect vs. 23-25 Wires
- ▶ No DAT Sensor to Install
- ▶ No 24VAC Transformer to Install
- ▶ Only 1 HERS Test vs. 3 Tests
- ▶ Works with Any 24VAC Thermostat
- ▶ No New Wiring in the Living Space.



## Homeowner Features

**Save 30% in Energy at Night**  
Improves comfort and saves 30% in energy at night by manually directing more heating or cooling to the upstairs zone and 30% less to the unoccupied downstairs zone.

**Manual Comfort Control**  
Homeowner can manually direct more heating or cooling upstairs or downstairs for a uniformly comfortable home. Or the homeowner can direct more heating or cooling to the occupied zone and less to the unoccupied zone as desired.

## Ordering Information

### ZCMWLK

#### 2-Zone Manual Comfort Control Kit Wireless, Battery Powered.

Kit Includes ZCMWL 2-Zone Wireless Control and DC2  
Wireless Damper Control.



ZCMWL



DC2

### R80CJ-XX

Round, Modulating, Plug&Play  
Damper. Includes 25' plug&play cable.  
Available in 6-20 inch diameters.



### RT80CJ-XX

Rectangular, Modulating, Plug&Play  
Damper. Includes 25' plug&play cable.  
Call for available sizes.



## Other Zoning Products

### For RNC



### ZTWD11, ZTWD21 and ZTWD21WF

Thermostat with integrated equipment  
and 2-Zone automatic comfort control.  
Eliminates bypass, DAT sensor and  
separate 24VAC transformer.



### ZCDWLR

2-Zone automatic comfort control.  
Eliminates bypass, DAT sensor and  
separate 24VAC transformer.



### Pro322PD

Low cost 3-Zone panel with automatic  
bypass control, on-panel display and  
cloning feature. For gas/electric or heat  
pump equipment w/ 2H/2C.

### For AOR



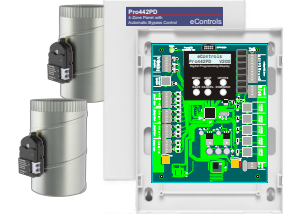
### Model ZCDWLB

2-Zone wireless automatic comfort  
control. Eliminates new wiring in the  
living space, bypass, DAT sensor  
and separate 24VAC Transformer.



### Model ZCDWLBC

2-Zone wireless automatic comfort  
control for communicating equipment.  
Eliminates new wiring in the living  
space, bypass and DAT sensor.  
*Available 2nd Quarter 2024*



### Pro442PD

4-Zone panel with automatic bypass  
control and on-panel display. Ability to  
add 4-8 additional zones. For  
gas/electric, heat pump and dual fuel  
heat pump equipment w/ 4H/2C.

## Where to Purchase

Available through distribution.

## Contact Information:

949-916-0945

Sales@eControlsUSA.com

Visit [eControlsUSA.com](http://eControlsUSA.com) to see other 2-Zone Comfort Controls and Zone Panel solutions.

## Limited 5-Year Warranty

The 5-year warranty is limited to the repair or replacement of  
defective product due to parts failure or defective workmanship.



26072 Merit Circle #110 / Laguna Hills, CA 92653  
949-916-0945 Fax 949-458-8502 [www.eControlsUSA.com](http://www.eControlsUSA.com)